

TS2000 SERIES

Biometric Tripod Turnstile

The TS2000 tripod turnstile series is a compact and cost-effective Access Control system designed for high-traffic volumes. The turnstile allows for card and/or fingerprint devices.

FEATURES:

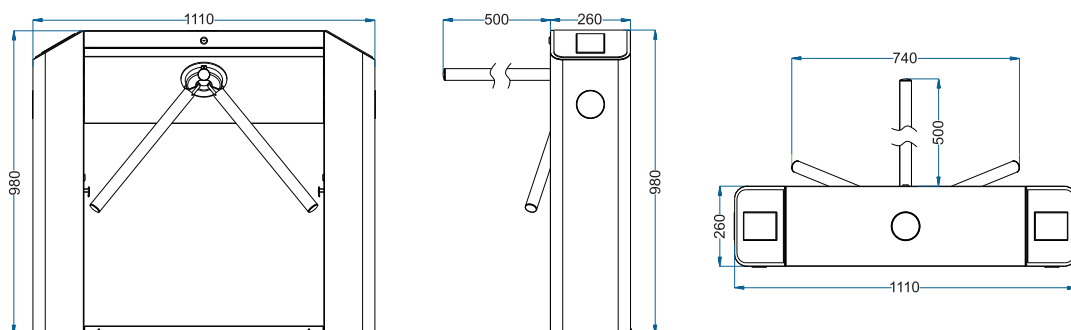
- Durable alloy steel tripod hub and SUS304 stainless steel casework & tripod arms ensuring long-lasting durability
- Power conservation. Electro-magnetic locks remain in "standby mode" until turnstile is activated
- Visual indicator for access granted or denied



SPECIFICATIONS

Power Requirements	AC 110V/220V, 50/60Hz
Power Consumption	60W
Working Temperature	-28°C - 60°C
Working Humidity	5% - 80%
Lane Width	500mm
Dimensions	1110mm × 980mm × 260mm + arm length 500mm
Pictogram Indicator	Yes

DIMENSIONS:



010 593 0593



sales@ersbio.co.za



www.ersbio.co.za

